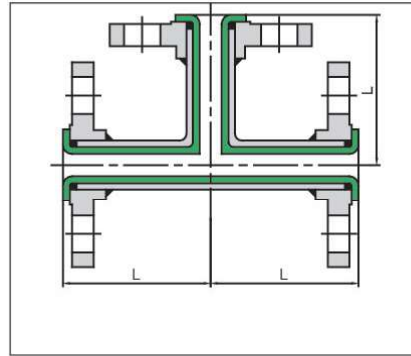
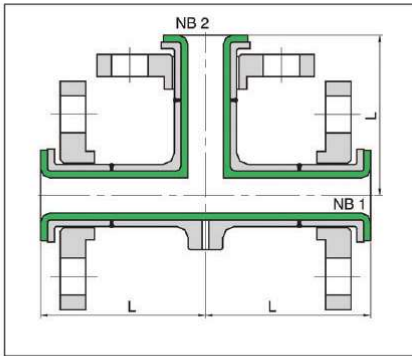


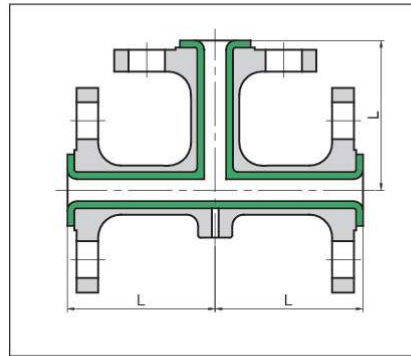
Stub-End Equal Tee, LF



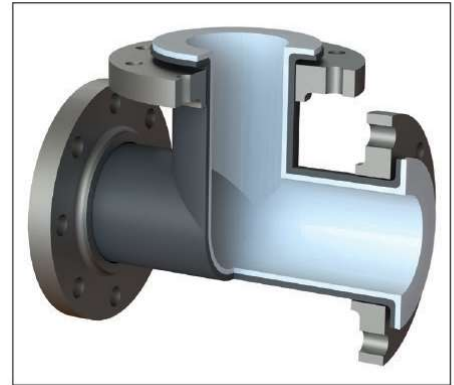
Equal Tee, FF



Steel Equal Tee, LF



Cast Steel Equal Tee, FF



NB #150	L mm	Wt kg
½"	65	1.6
¾"	75	2.2
1"	89	3.5
1½"	102	5.9
2"	114	9.2
3"	140	17.9
4"	165	26.1
6"	203	41.7
8"	229	68.8
10"	279	96.8
12"	305	132

STEEL	SIZE	MATERIAL	STANDARDS	NOTE
ELBOWS & TEES	1" - 3"	Cast Steel	ASTM A216 Grade WCB	Fixed Flgs
OTHER TEES	½" - 4"	Carbon Steel	ASTM A 106 Gr B / API 5L, B36.10	Fixed / Loose Flgs
	6" - 12"	Carbon Steel	ASTM A 106 Gr B / API 5L, A234 Gr WPB, B19.9	Fixed / Loose Flgs

Stainless steel / other material on request.