



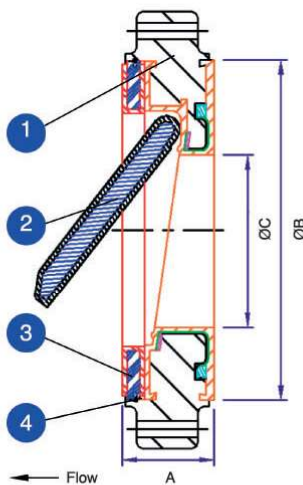
A high integrity PFA moulded wafer swing check valve, with fully encapsulated one piece disc/hinge assembly ensuring prolonged maintenance free service. Suitable for PTFE lined or unlined pipework in all severe process conditions.

Product Features

- Retained hinge design to aid installation and prevent disc removal in service
- Machined body T-slots and liner locking system securely holding liner in position
- Angled seat design ensures positive location in horizontal lines
- Virgin PFA with no pigmentation to hide defects
- Strong robust design

Materials Specification

Item	Qty	Description	Materials	Specification
1	1	Body	Cast Steel PFA	ASTM A216 Gr WCB ASTM D3307
2	1	Disc	Cast Steel PFA	ASTM A216 Gr WCB ASTM D3307
3	1	Retaining Plate	Carbon Steel PFA	BS4360 Gr 43A ASTM D3307
4	Circlip	Stainless Steel Paint Finish	BS2056 Gr 304S15 125µ Blue Semi-Gloss	ASTM F594 Gr. 304 Epoxy



Dimensions

To Suit Pipework		Face to Face	Valve Diameter ASME 150	Valve Diameter DIN PN 10/16	Valve Bore	Weight
Inches	mm	Dim A mm	Dim B mm	Dim B mm	Dim C mm	Kg
4	100	52	171	152	71.5	6.0
6	150	56	219	218	110	12.0
8	200	60	275	273	150	21.5
10	250	68	336	329	184	27.5
12	300	78	406	378/384	230	40.5

*Face to Face dimensions in accordance with DIN3202/T3/K1 and API 609 standards

Options

Component	Description
Body	Stainless steel
	Antistatic liner
Spring	Soft seats, Kalrez & Viton for gas applications

